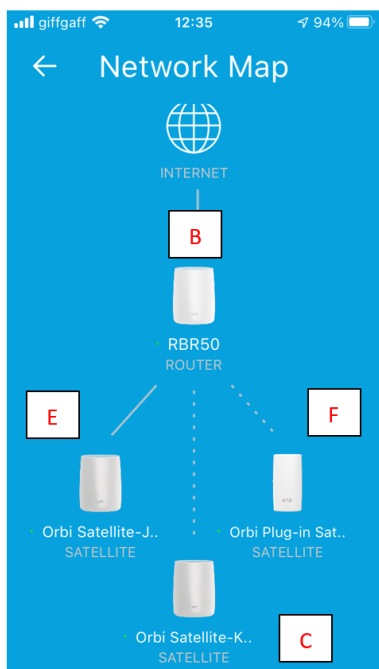
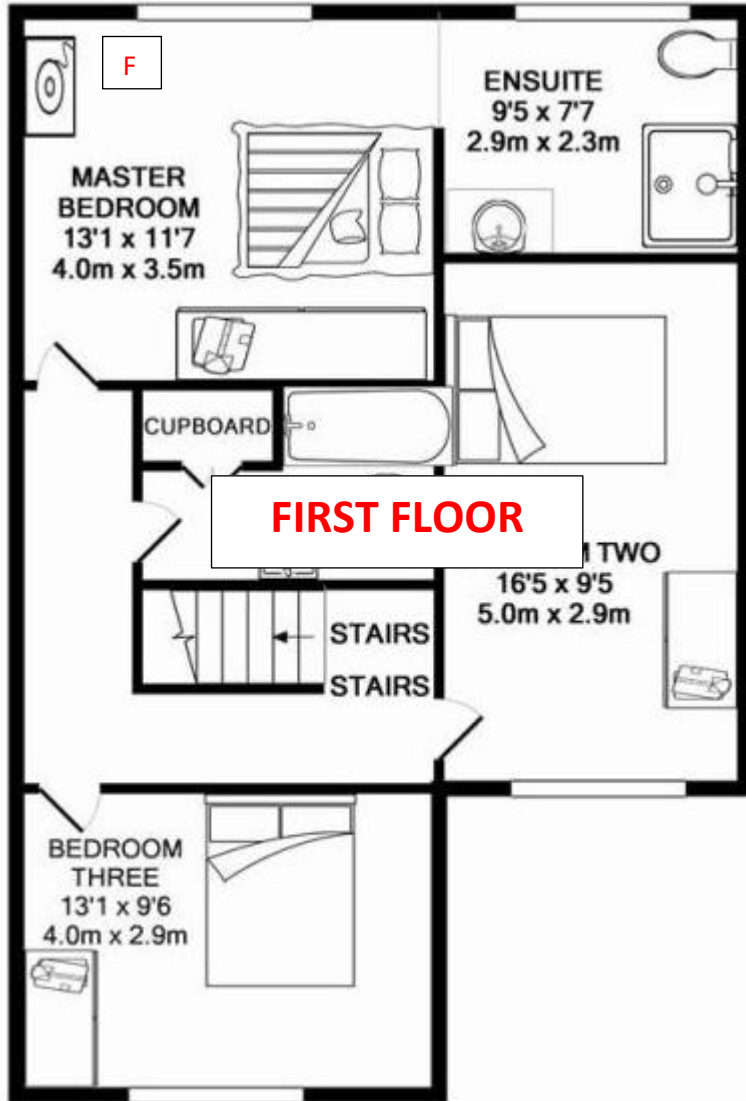


- A** – Virgin Media Router – Set to ‘Modem Mode’ – Connected via Ethernet to **B** (RBR50)
- B** – RBR 50 – Set to ‘Router mode’ – Hard wired to **G** (Cisco SG200 PoE Switch)
- C** – Satellite 1 – Wirelessly connected to network
- D** – RBR 40 – Hard wired to **G**
- E** – Satellite 2 – Hard wired to **G**
- F** – Plug in Satellite – Wirelessly connected to network
- G** – Cisco SG220 – PoE 48 Port Network Switch (Located in Comms Cabinet in Loft Space)





- A** – Virgin Media Router – Set to ‘Modem Mode’ – Connected via Ethernet to **B** (RBR50)
- B** – RBR 50 – Set to ‘Router mode’ – Hard wired to **G** (Cisco SG200 PoE Switch)
- C** – Satellite 1 – Wirelessly connected to network
- D** – RBR 40 – Hard wired to **G**
- E** – Satellite 2 – Hard wired to **G**
- F** – Plug in Satellite – Wirelessly connected to network
- G** – Cisco SG220 – PoE 48 Port Network Switch (Located in Comms Cabinet in Loft Space)

