

Product Transition Notification for NETGEAR® ProSAFE® M5300, M7100 and M7300 Series

Notification Date: March 29, 2016

Here at NETGEAR® our primary channel and customer focus is to drive solution-based innovation with our advanced commercial Switching, Storage, Security and Wireless portfolio. In order to support this drive we are releasing a brand new series of Layer 3 Stackable Managed Switches: NETGEAR® ProSAFE® M4300 Series.

NETGEAR is committed to bringing world-class products and support to our customers. The current M5300, M7100 and M7300 Managed Switch Series will be replaced with this new M4300 stackable solution that offers customers highly reliable products, support of mixed 1G and 10G stacking, lower compelling price points, PoE+ full provisioning and a superior level of full Layer 3 software with OpenFlow 1.3 SDN-readiness.

Forecasted Key Milestones:

Date of first availability and customers' receipt of new products (M4300 series)

March 29, 2016

Date new products (M4300 series) should be the only remaining alternative for customers

February 6, 2017

Affected Products/NETGEAR Ordering SKU Numbers:

Old Model	Old SKU	Old List Price	EOL Date	End of Sale Date	New Model	New SKU	New List Price	Customer Benefits
M7300-24XF	XSM7224S	\$8,900	2-Jan-17	6-Feb-17	M4300-24X24F	XSM4348S	\$6,990	24p copper and 24p fiber combined
M7100-24X	XSM7224	\$7,990	2-Jan-17	6-Feb-17				
New products					M4300-12X12F	XSM4324S	\$3,690	Hybrid copper and fiber versions
					M4300-8X8F	XSM4316S	\$2,690	
M5300-28G	GSM7228S	\$1,990	1-Sep-16	3-Oct-16	M4300-28G	GSM4328S	\$1,590	Mixed 1G/10G stacking
M5300-28G3	GSM7328S	\$2,390						
M5300-52G	GSM7252S	\$2,990	1-Sep-16	3-Oct-16	M4300-52G	GSM4352S	\$2,290	Dual redundant, hot swap PSUs
M5300-52G3	GSM7352S	\$3,590	2-Jan-17	6-Feb-17				
M5300-28G-PoE+	GSM7228PS	\$2,390	1-Sep-16	3-Oct-16	M4300-28G-PoE+	GSM4328PA	\$2,290	Full Layer 3 including Policy Based Routing
						GSM4328PB	\$2,790	
M5300-52G-PoE+	GSM7252PS	\$3,590	2-Jan-17	6-Feb-17	M4300-52G-PoE+	GSM4352PA	\$3,190	Lower acoustic noise
						GSM4352PB	\$3,690	
M5300-28GF3	GSM7328FS	No EOL plan as of 29-Mar-16						

The "Date new products (M4300 series) should be the only remaining alternative for customers" is the projected date all existing current version M5300 / M7100 / M7300 material inventory should be depleted in all regions. The dates are only approximate and are determined by the projected transition plan between the current version material inventory and new product materials, sales trends in NETGEAR distribution, and the inventory levels in different regions. The dates above ultimately may vary for different customers, and customers may be able to order and receive current version materials until existing inventory has been depleted.

- Page 2 M4300 Presentation
- Page 3 M4300 Target Application
- Page 4 Software Feature Traceability



ProSAFE® M4300 Series Presentation

The M4300 is the world's first versatile stackable solution designed for full power PoE+ edge, redundant Top of Rack server/storage interconnect, and dependable SMB core deployment.

- L2/L3/L4 and IPv4/IPv6 rich services for wireless access layer, IP video and unified communications
- Ideal for server aggregation with Auto-iSCSI prioritization and SMB 10G core applications
- 16-, 24- or 48-port 10G models and 24- or 48-port 1G models including PoE+ full provisioning
- All 10G ports are independent and 1G backward compatible for progressive transition to 10G speeds
- 10 Gigabit models seamlessly stack with 1 Gigabit models enabling line-rate spine and leaf topologies
- Non-stop forwarding (NSF) offers High Availability (HA) across the stack with hitless failover
- Half-width form factors enable one or two 10G switches in a single rack space for redundant top-of-rack
- Full width models come with dual redundant, modular power supplies for business continuity
- Layer 3 feature set includes static, policy-based and dynamic routing with RIP, VRRP, OSPF and Multicast PIM
- Ready for the future, with Software-defined Network (SDN) and OpenFlow 1.3 support
- Lifetime hardware warranty, Lifetime Next Business Day and Lifetime technical support for investment protection and post-sales support.



Model Name	M4300-8X8F	M4300-12X12F	M4300-24X24F	M4300-28G	M4300-52G	M4300-28G-PoE+	M4300-52G-PoE+
Model Number	XSM4316S	XSM4324S	XSM4348S	GSM4328S	GSM4352S	GSM4328PA (550W PSU) GSM4328PB (1,000W PSU)	GSM4352PA (550W PSU) GSM4352PB (1,000W PSU)
10/100/1000 RJ45	-	-	-	24 ports	48 ports	24 ports PoE+	48 ports PoE+
10GBASE-T RJ45	8 ports	12 ports	24 ports	2 ports	2 ports	2 ports	2 ports
1G/10G SFP+	8 ports	12 ports	24 ports	2 ports	2 ports	2 ports	2 ports
Fabric Usable 10G Ports	320Gbps 16x10G	480Gbps 24x10G	960Gbps 48x10G	128Gbps 4x10G	176Gbps 4x10G	128Gbps 4x10G	176Gbps 4x10G
Form Factor Rack Mount	Half-width 1- or 2-unit 1U	Half-width 1- or 2-unit 1U	Full width 1-unit 1U	Full width 1-unit 1U	Full width 1-unit 1U	Full width 1-unit 1U	Full width 1-unit 1U
Power Supply	Modular 1 bay	Modular 1 bay	Modular 2 bays	Modular 2 bays	Modular 2 bays	Modular 2 bays	Modular 2 bays + RPS
Included PSU	(1) APS250W	(1) APS250W	(1) APS250W	(1) APS150W	(1) APS150W	GSM4328PA: (1) APS550W GSM4328PB: (1) APS1000W	GSM4352PA: (1) APS550W GSM4352PB: (1) APS1000W
Fans	Front-to-back	Front-to-back	Front-to-back	Front-to-back	Front-to-back	Front-to-back	Front-to-back
Noise @25°C	36.9dB	36.9dB	35.8dB	30.3dB	31.5dB	39.8dB	39.8dB
Max Power Consumption	49 Watts	97 Watts	161 Watts	34.5 Watts	47.4 Watts	GSM4328PA: 797 Watts GSM4328PB: 833.2 Watts	GSM4352PA: 865 Watts GSM4352PB: 1,628 Watts
PoE+ Budget	@110V AC	With 1 PSU, or With 2 PSUs in Redundant mode			PA Version	480 Watts	480 Watts
					PB Version	630 Watts	591 Watts
		With 2 PSUs in Shared mode			PA Version	720 Watts	720 Watts
					PB Version	720 Watts	1,010 Watts
	@220V AC	With 1 PSU, or With 2 PSUs in Redundant mode			PA Version	480 Watts	480 Watts
					PB Version	720 Watts	860 Watts
With 2 PSUs in Shared mode			PA Version	720 Watts	720 Watts		
			PB Version	720 Watts	1,440 Watts		
Management	Ethernet: Out-of-band 1G port		Console: RJ45 RS232 and Mini-USB		Storage: USB		

ProSAFE® M4300 Series Target Application

Building 1

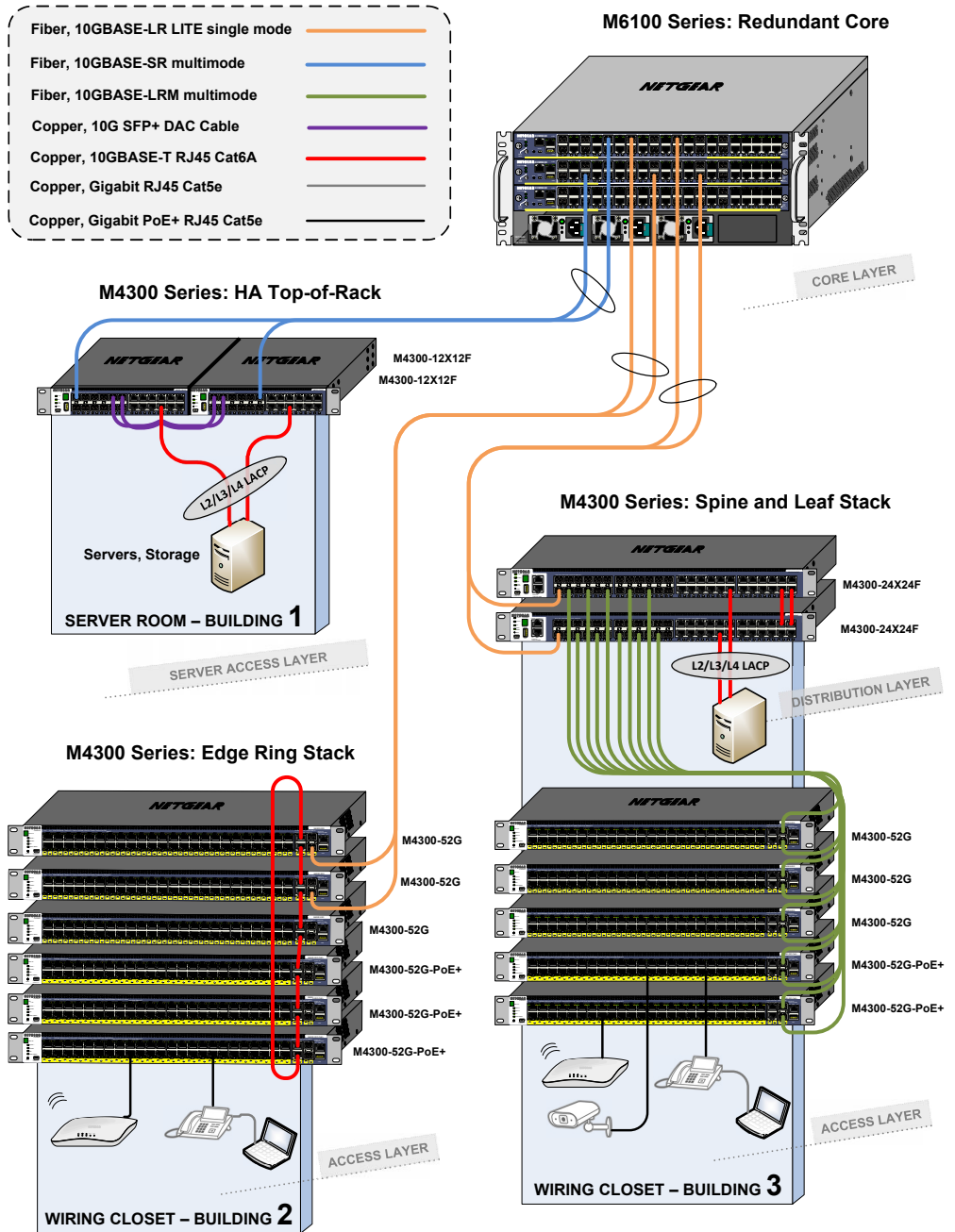
- For midsize server installations, two half-width M4300 10GbE models can be paired in a single rack space for redundant top-of-rack
- Compared with single top-of-rack switch installation, such two-unit horizontal stacking is cost-effective yet highly efficient for HA
- Management unit hitless failover and nonstop forwarding ensure no single point of failure for servers and storage

Building 2

- Common for intermediate distribution frames (IDF) in K-12 and other large campuses, stacking topologies greatly simplify deployments at the edge
- While reducing the number of logical units to manage, stacking also brings network resiliency with distributed uplinks in aggregation to the core
- Management unit hitless failover and nonstop forwarding ensures continuous uptime for clients across the stack

Building 3

- For typical collapsed core installations, with a variety of 1G and 10G access ports in branch offices, server rooms or campus high performance labs
- M4300 10G models can stack with M4300 1G models, enabling innovative "spine and leaf" topologies
- Spine and leaf architectures deliver highest performance with every leaf switch (1G) connecting to every spine switch (10G) for a fully non-blocking deployment
- With management unit hitless failover and nonstop forwarding, leaf switches keep forwarding L2 and L3 traffic in and out, while backup spine unit guarantees connectivity to the core



ProSAFE® M5300/M7100/M7300 to M4300 Software Feature Traceability

	Feature Traceability	Release					Feature Traceability	Release				
		11.0 M5300	11.0 M7100	9.0 M7300	12.0 M4300			11.0 M5300	11.0 M7100	9.0 M7300	12.0 M4300	
Layer 2 Switching	Double VLAN Mode	Yes	Yes	Yes	Yes	Quality of Service	Ingress and Egress Access Control Lists	Yes	Yes	Yes	Yes	
	Independent VLAN Learning	Yes	Yes	Yes	Yes		L2/L3/L4 Differentiated Services	Yes	Yes	Yes	Yes	
	Protocol-Based VLANs	Yes	Yes	Yes	Yes		Class of Service (CoS)	Yes	Yes	Yes	Yes	
	MAC-Based VLANs	Yes	Yes	Yes	Yes		Auto-VoIP	Yes	Yes	Yes	Yes	
	Private Groups	Yes	Yes	Yes	Yes		iSCSI Optimization	Yes	Yes	No	Yes	
	Private VLAN	Yes	Yes	No	Yes		True Stacking	Yes	No	Yes	Yes	
	Forwarding, Aging, Learning	Yes	Yes	Yes	Yes		Stacking	Nonstop Forwarding/Hitless Failover	Yes	No	Sub Second	Yes
	Static MAC filtering	Yes	Yes	Yes	Yes			Distributed Link Aggregation	Yes	No	Yes	Yes
	Jumbo Frames	Yes	Yes	Yes	Yes			Stack Firmware Synchronization	Yes	No	Yes	Yes
	Flow Control	Yes	Yes	Yes	Yes			Mixed Stacking 1G Models/10G Models	No	No	No	Yes
	STP/RSTP/MSTP/	Yes	Yes	Yes	Yes	Switch Management		Outbound Telnet	Yes	Yes	Yes	Yes
	PV(R)STP	Yes	Yes	Yes	Yes			User Manager	Yes	Yes	Yes	Yes
	GARP/GVRP	Yes	Yes	Yes	Yes		Administrator Security	Yes	Yes	Yes	Yes	
	MRP/MVRP	No	No	No	Yes		IP Source Guard	Yes	Yes	Yes	Yes	
	Link Aggregation	Yes	Yes	Yes	Yes		Dynamic ARP Inspection	Yes	Yes	Yes	Yes	
	Track LAG Member Port Flaps	Yes	Yes	No	Yes		Out of band management port	No	No	No	Yes	
	MLAG	No	Yes	No	No		DB9 (serial) Console Port	Yes	Yes	Yes	No	
	Link Local Discovery Protocol (LLDP)	Yes	Yes	Yes	Yes		RJ45 (serial) Console Port	No	No	No	Yes	
	DHCP Snooping	Yes	Yes	Yes	Yes		Mini-USB Console Port	Yes	Yes	No	Yes	
	Protected Ports	Yes	Yes	Yes	Yes		USB Storage Port	Yes	Yes	Yes	Yes	
Unidirectional Link Detection	Yes	Yes	Yes	Yes	Multiscreen Terminal Pagination	Yes	Yes	Yes	Yes			
Layer 3 Routing	Dynamic Routing	L3 License	No	L3 License	Yes	Switch Services	Management ACLs	Yes	Yes	Yes	Yes	
	IP MTU	Yes	Yes	Yes	Yes		DHCP Client	Yes	Yes	Yes	Yes	
	ARP	Yes	Yes	Yes	Yes		Port Mirroring	Yes	Yes	Yes	Yes	
	ARP Aging	Yes	Yes	Yes	Yes		Flow Based Mirroring	Yes	Yes	Yes	Yes	
	Static Routes	Yes	Yes	Yes	Yes		RSPAN	Yes	Yes	No	Yes	
	Loopback Interfaces	Yes	Yes	Yes	Yes		VLAN / Trunk / N:M Mirroring	Yes	Yes	Yes	Yes	
	Tunnel Interfaces	L3 License	No	L3 License	Yes		Logging and Auditing	Yes	Yes	Yes	Yes	
	Routing Information Protocol (RIP)	L3 License	No	L3 License	Yes		HTTP Web Management	Yes	Yes	Yes	Yes	
	DHCP Relay	Yes	Yes	Yes	Yes		Simple Network Management Protocol	Yes	Yes	Yes	Yes	
	Virtual Routing Redundancy Protocol	L3 License	No	L3 License	Yes		Communities	No	No	No	Yes	
	VRRP Route/Interface Tracking	L3 License	No	L3 License	Yes		Dual Image Support	Yes	Yes	Yes	Yes	
	Router Discovery Protocol	Yes	Yes	Yes	Yes		Email Alerting	Yes	Yes	Yes	Yes	
	VLAN Routing	Yes	Yes	Yes	Yes		BOOTP	Yes	Yes	Yes	Yes	
	Route Redistribution	Yes	No	No	Yes		Debug Commands	Yes	Yes	Yes	Yes	
	Open Shortest Path First (OSPF)	L3 License	No	L3 License	Yes		DoS Protection	Yes	Yes	Yes	Yes	
	IP Multinetting	Yes	Yes	Yes	Yes		CPU Utilization	Yes	Yes	Yes	Yes	
	ICMP Throttling	Yes	Yes	Yes	Yes		Debug Config File	Yes	Yes	Yes	Yes	
	Multiple Helper IPs	Yes	Yes	Yes	Yes		Auto Install	Yes	Yes	Yes	Yes	
	Policy Based Routing	No	No	No	Yes		12.0 Features	DNS Client	Yes	Yes	Yes	Yes
	OSPFv3	L3 License	No	L3 License	Yes			Green Mode	No	Yes	No	Yes
DHCPv6	Yes	No	Yes	Yes	DHCP Server	Yes		Yes	Yes	Yes		
IPv4 to IPv6 Transition	L3 License	No	L3 License	Yes	Simple Network Time Protocol	Yes		Yes	Yes	Yes		
IPv6 Management	Yes	Yes	Yes	Yes	Storm Control	Yes		Yes	Yes	Yes		
Traceroute enhancements	Yes	Yes	Yes	Yes	Statistics Application	Yes		Yes	Yes	Yes		
IPv6 Routing Static and Dynamic	L3 License	No	L3 License	Yes	sFlow	Yes		Yes	Yes	Yes		
Multicast Filtering and Forwarding	Yes	Yes	Yes	Yes	Port Based Network Access Control (802.1X)	Yes		Yes	Yes	Yes		
Internet Group Management Protocol	Yes	Yes	Yes	Yes	Local 802.1X Authentication Server	Yes		Yes	Yes	Yes		
IGMP Snooping	Yes	Yes	Yes	Yes	Authentication Manager/Tiered Authentication	Yes		Yes	No	Yes		
Multicast Listener Discovery	Yes	Yes	Yes	Yes	CPU Rate Limiting	Yes	Yes	Yes	Yes			
MLD Snooping	Yes	Yes	Yes	Yes	VLAN Trunking	Yes	Yes	Yes	Yes			
IGMP/MLD Snooping Querier	Yes	Yes	Yes	Yes	Syslog update to RFC5424	No	No	No	Yes			
MGMD Snooping Enhancements	Yes	Yes	Yes	Yes	OpenFlow 1.3	No	No	No	Yes			
IGMP and MLD Proxy	Yes	Yes	Yes	Yes	ACL remarks and Priority	No	No	No	Yes			
Distance Vector Multicast Routing Protocol	L3 License	No	L3 License	Yes	ECN	No	No	No	Yes			
Protocol Independent Multicast – Dense Mode (PIM-DM)	L3 License	No	L3 License	Yes	OpenSSH and OpenSSL Upgrade	No	No	No	Yes			
Protocol Independent Multicast – Sparse Mode (PIM-SM)	L3 License	No	L3 License	Yes	Radius COA	No	No	No	Yes			
Multicast Static Forwarding	L3 License	No	L3 License	Yes	Link Dependency	No	No	No	Yes			
GMRP/MMRP	Yes	Yes	Yes	Yes	IPv6 RA Guard Stateless	No	No	No	Yes			
Multicast VLAN Registration	Yes	Yes	No	Yes	Non disruptive Config Management	No	No	No	Yes			

M4300 Series Product Page, Datasheet, Product Brief, FAQ: please visit: <http://www.netgear.com/managed>

For more information contact your NETGEAR sales representative: Phone: 866-480-2112 (Option #1) Email: USPowershift@Netgear.com