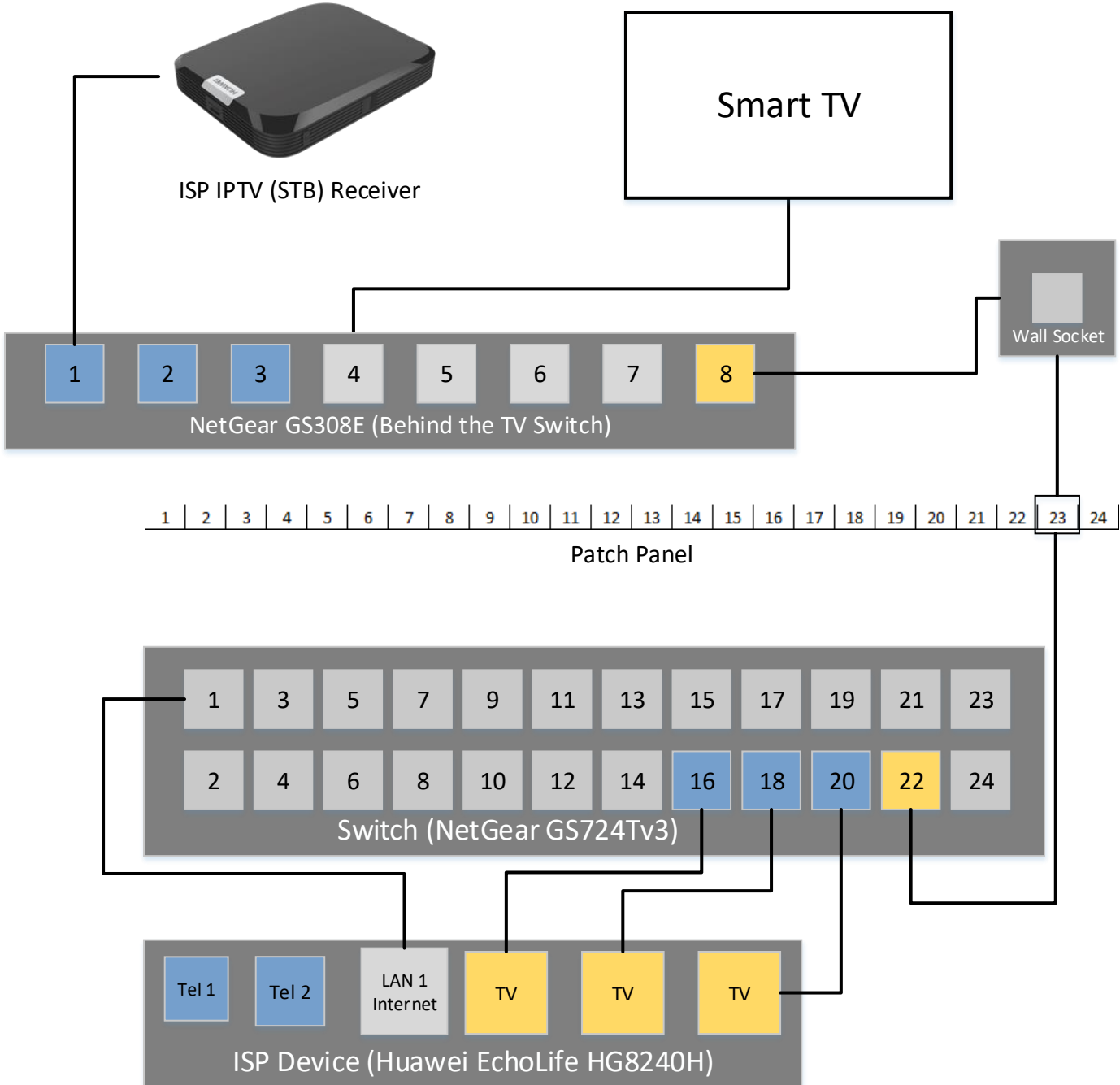


Port No.	1	2	3	4	5	6	7	8
VLAN ID	4	4	4	1	1	1	1	4,1
VLAN Membership	U	U	U	U	U	U	U	T
Port PVID	4	4	4	1	1	1	1	1

I have 3 other switches of the same type that I need to connect behind 3 TVs

NetGear GS308E (Behind the TV Switch Configurations)



Ports used for IPTV have no other function and don't require internet access. They are only a port to access ISP's TV sockets

