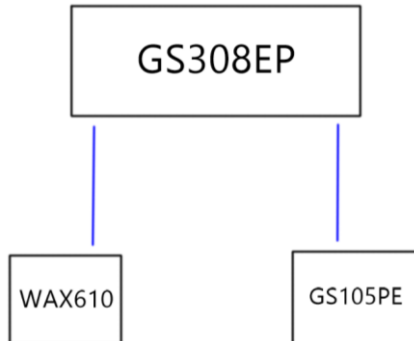
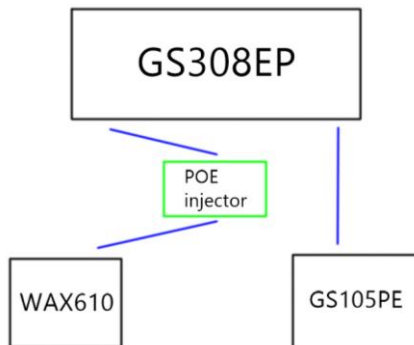


I tried different solutions in connecting my devices. When the WAX610 is booted, the GS105PE only gets 803.2af. The LED at Port 5 switches to orange.  
At 2. And 3. – I deactivated the power supply on the GS308EP at the specific port.  
Solution 4 works very well, but I can't use this.

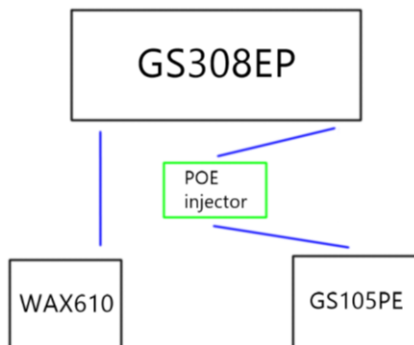
**1. This was my plan - doesn't work**



**2. Connecting the WAX610 with a POE injector – doesn't work**



**3. Connecting the GS105PE with a POE injector – doesn't work**



**4. Connection the WAX610 with the GS105PE – this works?!**

