

NETGEAR Support

How to connect a D6300 to NBN Fiber Internet Connection

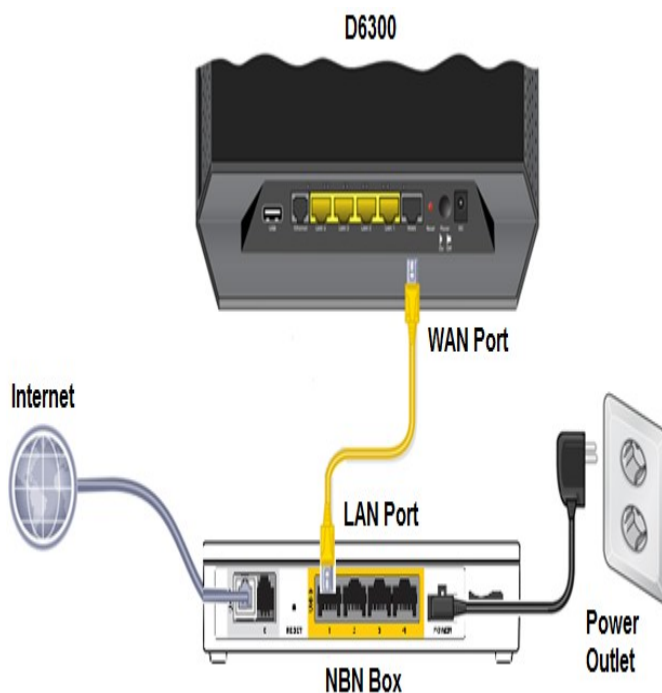
Was this article helpful?  [Yes](#)  [No](#) | 4 people found this helpful in last 30 days

This article provides steps to connect a D6300 modem/router to a NBN Fiber Internet connection.

To connect a D6300 modem/router to an NBN Fiber Internet Connection:

Note: Make sure that your NBN box is online. If it is not online, please call NBN to configure your box.

1. Connect one end of the Ethernet cable to any LAN port at the back of the NBN box, and then connect the other end of the Ethernet cable to the WAN port at the back of the D6300 router.



This article applies to:

- [DSL Gateway AC \(5\)](#)
- [DSL Gateway N \(4\)](#)
- [Wireless AC Router \(11\)](#)
- [Wireless N Router \(15\)](#)
- [Wireless AC Router Nighthawk \(9\)](#)

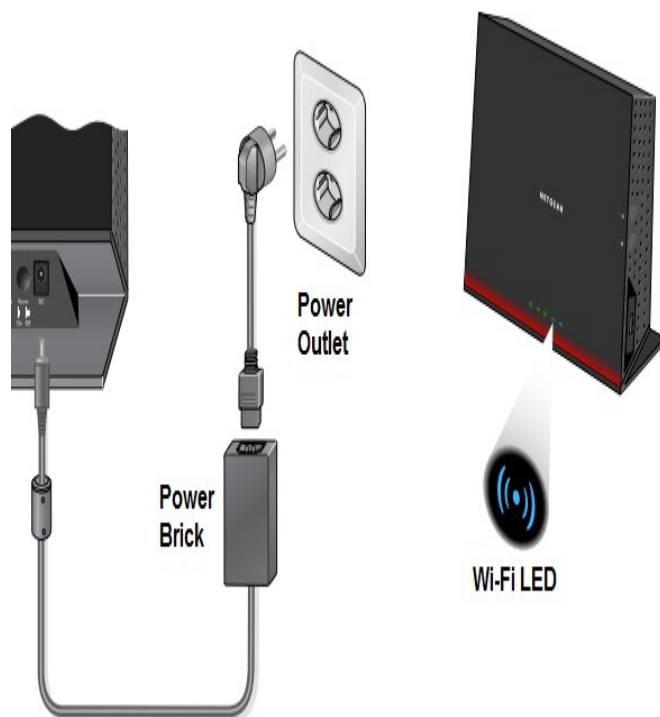
[How to Find Your Model Number >](#)

Related articles

- [What is an NBN network and is my NETGEAR DSL modem/router compatible?](#)

Recently

2. Power on your D6300 modem/router and wait until the Wi-Fi LED turns solid blue.



3. Connect your computer to the D6300. You can use an Ethernet cable or connect wirelessly.
 - d. Use an Ethernet cable to connect your computer to an Ethernet port on your D6300.
 - e. Or connect wirelessly by using the preset wireless security settings on the label on the bottom of the router.

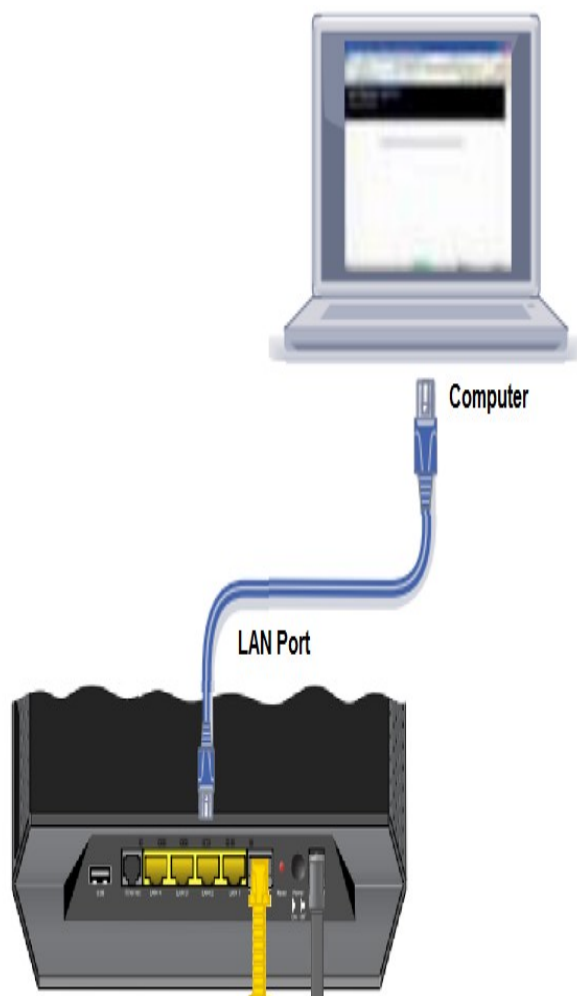
Viewed Articles

- [What is an NBN network and is my NETGEAR DSL modem router compatible?](#)

Looking for more about your product?

Get information, documentation, videos and more for your specific product.

[Start ty](#)



6. Open a web browser on the computer and follow the steps to finish configuring the D6300.

Disclaimer:

Any router/modem with gigabit WAN port will work with NBN connection or any Fiber Internet Service Provider, not just the D6300.

Was this article helpful?

 Yes

 No

Can't find what you're looking for?

Quick and easy solutions are available for you in the NETGEAR community.

[Ask the Community](#)

Need to Contact Support?

With NETGEAR's round-the-clock premium support, help is just a phone call away.

[See Support Options](#) 

NETGEAR®

[Feedback](#)



United States (English) 